

**PLEASE CALL IF YOU ARE MISSING ANY PARTS, HAVE ANY DIFFICULTY IN ASSEMBLY, OR HAVE ANY QUESTIONS REGARDING THE SAFE OPERATION OF THIS SPREADER. THIS MODEL INCLUDES LIFETIME TECHNICAL SUPPORT.
SUPPORT HOT LINE: 574-848-7491 or 800-294-0671 EMAIL: support@earthway.com**

HELPFUL HINTS: READ THE DIRECTIONS BEFORE ASSEMBLY

- ◀ If your spreader does not spread evenly, be sure the FRONT on the gear box points to the front of the spreader. The impeller must turn clockwise. Reversing the gearbox will cause the impeller to turn counter clockwise. Clean the impeller plate after each use. Fertilizer stuck on the impeller blades will cause uneven spreading.
- ◀ Your spreader is designed to be towed at three miles per hour—maximum. Slower or faster speeds will change the spread patterns. Wet fertilizer will also change the spread pattern and flow rate. Clean and dry your spreader thoroughly after each use. Wash between the shut off plate and bottom of the hopper.
- ◀ Gears are permanently lubricated at the factory. Do not open the gearbox or dirt may enter.

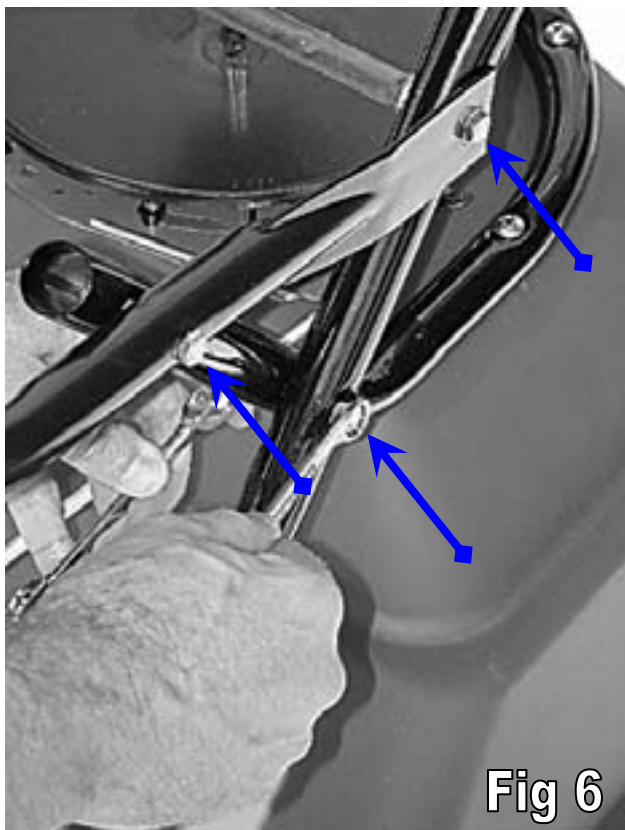
Your new spreader has been shipped semi-assembled resulting in easy assembly and a short time before it is ready for use. **Fig 1**

Assembly

Step 1: Remove your spreader from the shipping carton **Fig 2**.

Step 2: Remove the 2 bolts that are in the frame **Fig 3**, and then lift the tongue into position to allow the bolts just removed to go through the frame and the tongue as shown in **Fig 4**.

Step 3: Tighten the 2 bolts in **Fig 5**, then tighten all other frame bolts as seen in **Fig 6**.



EarthWay EV-N-SPRED

C25 Series

Tow Broadcast Spreader Assembly/Owners Manual

Assembly continued

- Step 4:** Place the drive wheel (either wheel can be used) on the axle and secure with the long cotter pin and bend. (NOTE: Drive wheel side has the cross-hole in the axle closest to the frame as shown) **Fig 1**
- Step 5:** Place the coast wheel on the axle and secure with the short cotter pin and bend. (NOTE: Coast wheel side has the cross-hole in the axle closest to the end of the axle) **Fig 2**
- Step 6:** Turn the spreader over on to the wheels
- Step 7:** Remove the 2 bolts from the control support frame as shown, and then slide the control support between the support frame rails and re-insert the bolts and tighten. **Fig 3 & 4**
- Step 8:** Attach control linkage to control lever and linkage pivot as shown. **Fig 5**
- Step 9:** Install adjustable hitch. **Fig 6**



Fig 1

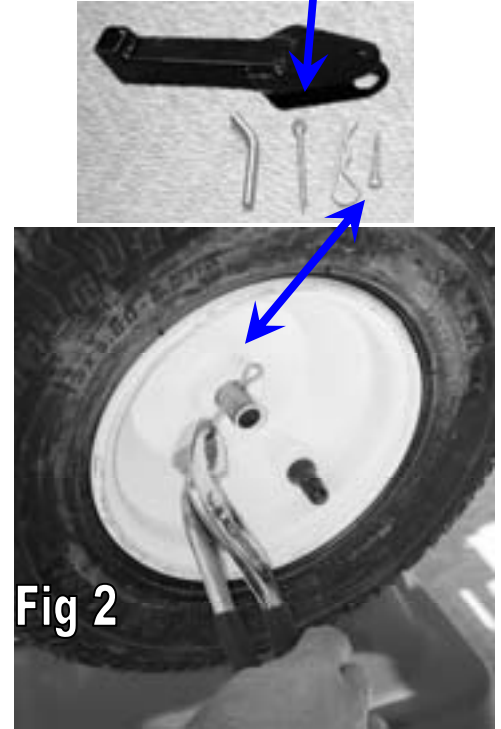


Fig 2



Fig 3



Fig 4



Fig 5



Fig 6

Step 11: Adjust hitch to level the spreader when attached to your tractor.

TIP: After your spreader is attached to your tractor and it is on a level surface, adjust the hitch so that the impeller is tipped up slightly at the rear for best performance.



C25 Series

Tow Broadcast Spreader

Assembly/Owners Manual

Calibrating your spreader:

To start your Calibration

1. Open shut-off fully so that the holes in the bottom of the hopper are open completely. **Fig 1**
2. Move the Rate Control Stop to #30 and tighten, then move the Rate Control Handle to #30. **Fig 2**
3. Adjust the nuts on the pivot to lock the calibration control rod into position. **Fig 3**

NOW YOU ARE NOW READY TO USE YOUR SPREADER.

The settings furnished on the Rate Setting Chart are intended as a guide only. Variations in physical characteristics of material applied, walking speed, and roughness of ground surface may require slightly different spreader settings.

Due to the above conditions, *EarthWay* PRODUCTS, INC. makes no warranty as to the uniformity of coverage actually obtained from the settings listed.

WARRANTY

EarthWay guarantees this product to be free of defects in original workmanship and materials for a period of 90-days from sale to the original user. If any defect develops during this period *EarthWay* will repair or replace this product at no charge provided the defect is not the result of mishandling or tampering and that this product is received at the factory with shipping charges prepaid. For quicker service you may call *EarthWay* at (574) 848-7491 & 800-294-0671 or write and describe the nature of the defect and we will send repair parts to you. Due to the corrosive nature of most fertilizers and ice melters, *EarthWay* PRODUCTS, INC. makes no warranty or guarantee against corrosion failure on models with plated steel or painted steel frames. Clean and dry your spreader well after each use. Warranty covers parts only, no labor charges.

DO NOT RETURN TO DEALER FOR REPAIR

Contact:

***EarthWay* PRODUCTS, INC.**
 1009 Maple Street
 P.O. Box 547
 Bristol, IN 46507

FOR YOUR RECORDS

Date Purchased

Store Name



Fig 1

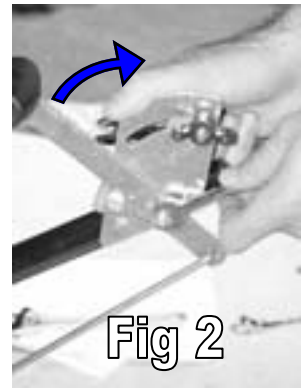


Fig 2

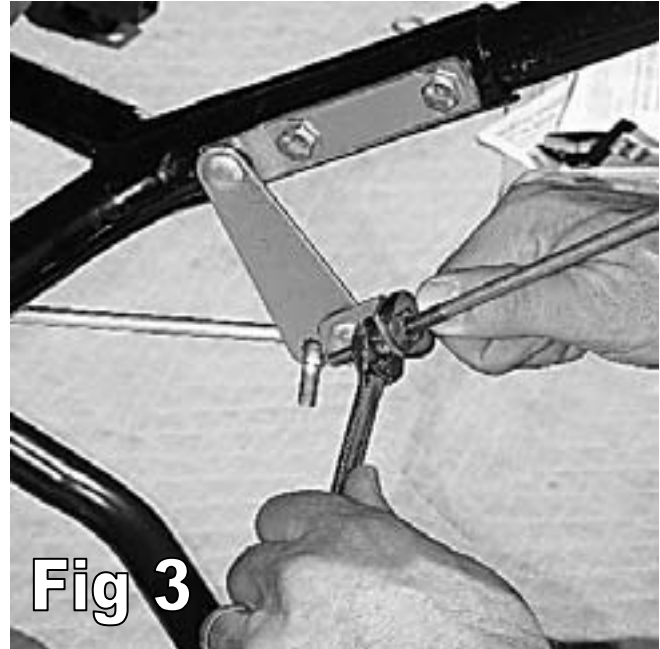


Fig 3

OPERATING INSTRUCTIONS

Before filling hopper, become familiar with the operation of this spreader and make sure the shut-off is closed completely.

1. Obtain proper setting for material to be used from the RATE SETTING MATRIX included with this spreader.
2. Move stop bolt on rate gauge assembly to the proper setting.
3. While pulling spreader forward, pull control lever back to stop bolt.
4. To stop, push lever forward to close flow holes before you stop moving.
5. When finished, empty any remaining material from hopper.
6. Thoroughly wash spreader and allow to dry before storing. **No oiling is necessary.**

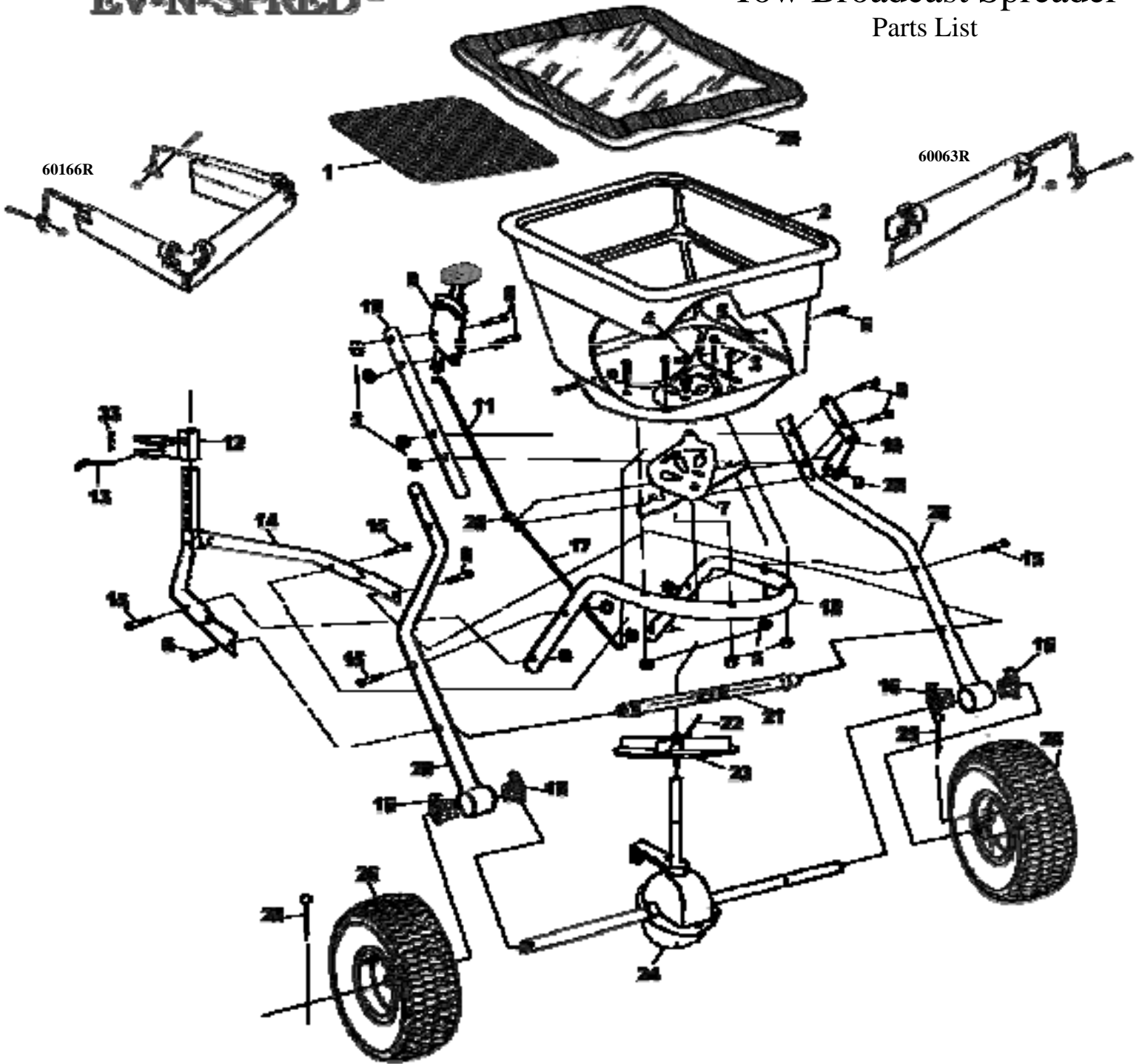
HOW TO ORDER SPARE PARTS

All spare parts listed herein may be ordered direct from the manufacturer, *EarthWay* PRODUCTS, INC.

Be sure to give the following information when ordering.

1. Model Number
2. Part Number
3. Part Description

Call (574) 848-7491 or 800-294-0671, or email: sales@earthway.com, write for current prices.



C25 Series Professional 100# Tow Broadcast Spreader

| Key # | Part # | Description | Key # | Part # | Description | Key # | Part # | Description |
|-------|--------|------------------------------------|-------|--------|-------------------------------------|-------|--------|--|
| 1 | 40003 | Screen | 12 | 21555 | Hitch Plate C25HDP | 22 | N/A | 1/8" X 1 1/4" Cotter Pin |
| 2 | 60219 | Hopper Assembly, Includes Key #7 | 13 | 42251 | Clevis pin | 23 | 12109 | Impellor |
| 3 | N/A | 1/4-20 X 1 1/2" Screw | 14 | 24213 | Draw Bar C25HDS Stainless Steel | 24 | 60309 | Gear Box & Axle Assembly |
| 4 | 33117 | Agitator | 14 | 25219 | Draw Bar C25HDP | 25 | 36103 | 3/16" X 2" Cotter Pin Stainless Steel |
| 5 | N/A | 1/4-20 Nylon Insert Locknut | 15 | N/A | 1/4-20 X 2 1/4" Bolt | 26 | 19117 | Drive Wheel/Coast Wheel |
| 6 | N/A | 1/4-20 X 1" Bolt | 16 | 12352 | New Axle Bearing | 28 | N/A | 1/4-20 HexNut |
| 7 | 12278 | New Pro Shut-Off Plate | 17 | 44251 | Pivot Rod | 29 | 77002 | Optional Heavy Duty Cover |
| 8 | N/A | 1/4-20 X 1 1/2" Bolt | 18 | 24111 | Frame C25HDS Stainless Steel | 30 | 60166R | Optional Salt Deflector |
| 9 | 60298 | Gauge & Lever Assembly | 18 | 25115 | Frame C25HDP | 31 | 60060R | Optional Rain Cover Side Deflector Kit |
| 10 | 24604 | Control Support C25HDS | 19 | 60300 | Pivot & Bracket Assembly | 32 | 60063R | Optional Side Deflector |
| 10 | 25607 | Control Support C25HDP | 20 | 24211 | Lower Handle C25HDS Stainless Steel | 33 | 36108 | 1/8" x 1 3/16" Hair Pin Clip Stainless Steel |
| 11 | 42263 | Control Rod Assembly | 20 | 25218 | Lower Handle C25HDP | | | |
| 12 | 42255 | Hitch Plate C25HDS Stainless Steel | 21 | 24701 | Cross Brace | | | |

N/A = Available a local hardware stores